

CASITA CALIFORNIA B - FLOOR PLAN
 SCALE: 1/4" = 1'0"

COLI STUDIO
 ADU / CASITA "CALIFORNIA B" 522 SQFT
 FLOOR PLAN
 SCALE: INDICATED
 DRAWING: J.A.C.

DATE:
 AUGUST, 2024
 SHEET No.



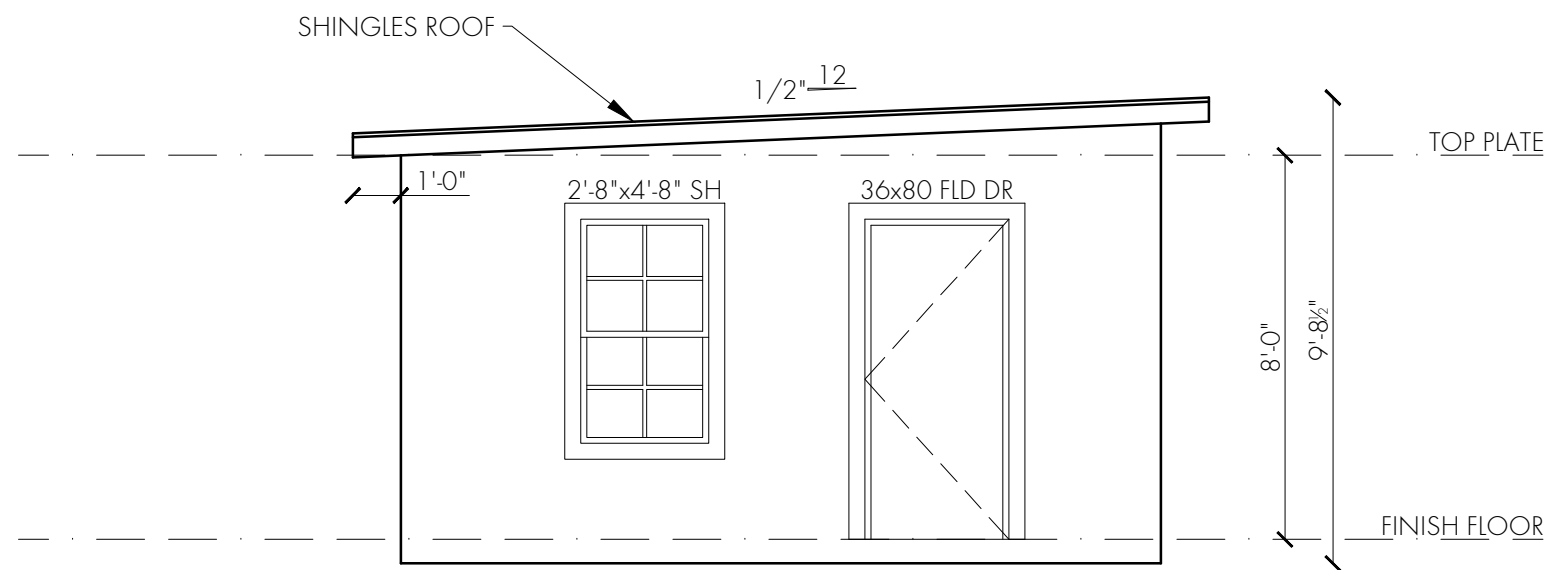
DRAWING: J.A.C.

SCALE: INDICATED

COLI STUDIO
ADU / CASITA "CALIFORNIA B" 522 SQFT
ELEVATION PLANS

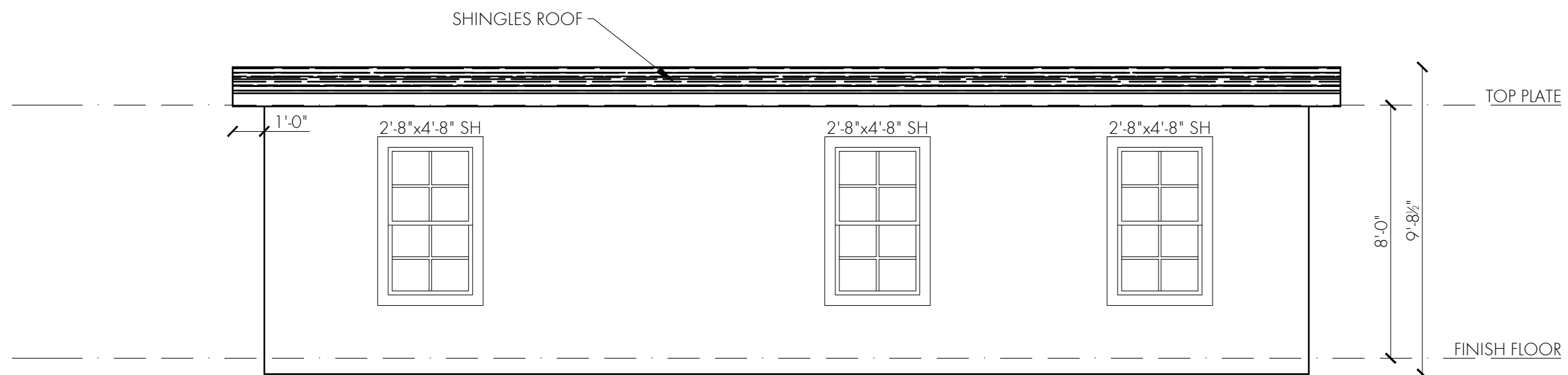
DATE:
AUGUST, 2024
SHEET No.

2



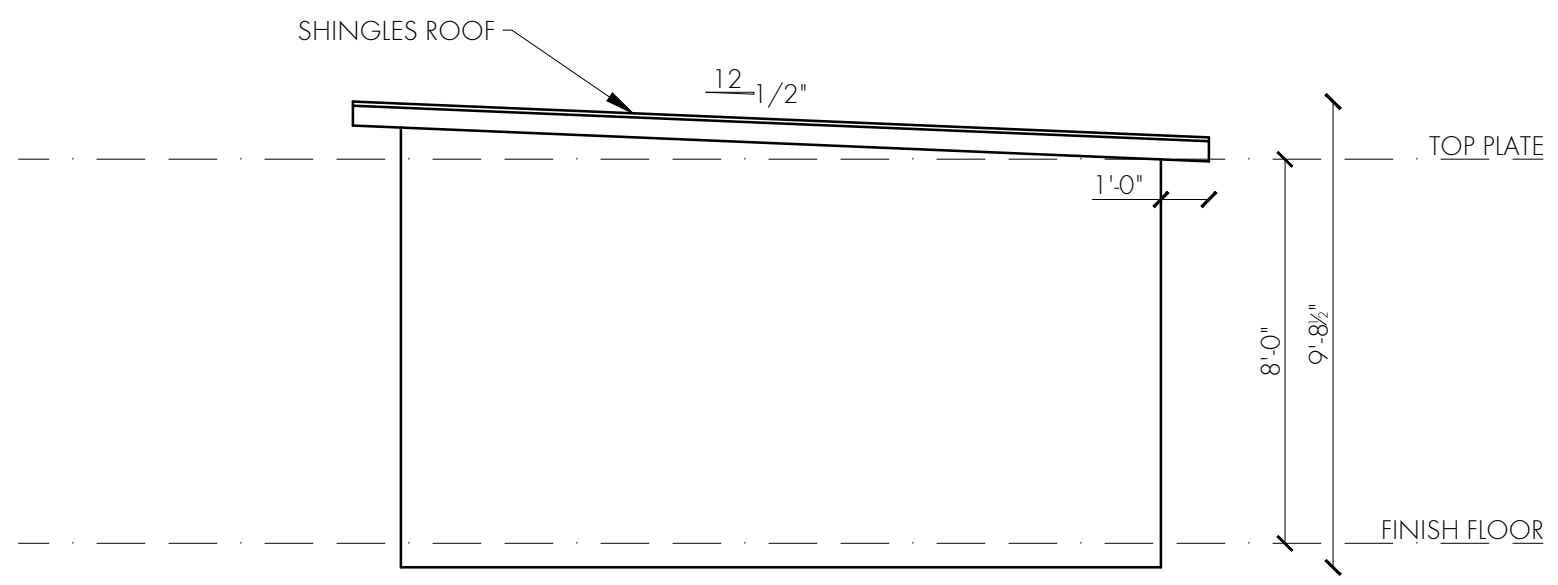
CASITA CALIFORNIA B - FRONT ELEVATION

SCALE: 1/4" = 1'-0"



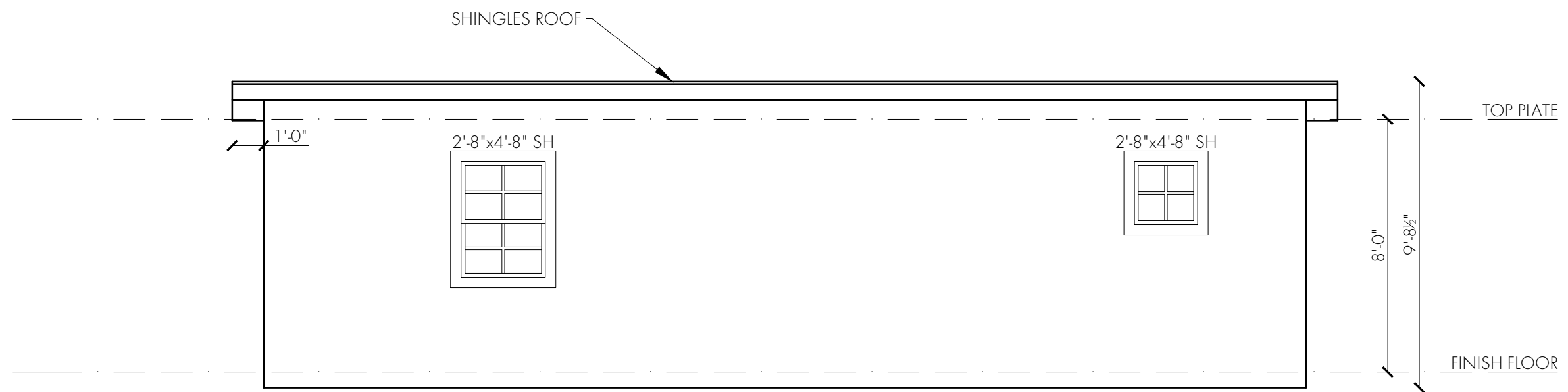
CASITA CALIFORNIA B - LEFT ELEVATION

SCALE: 1/4" = 1'-0"



CASITA CALIFORNIA B - REAR ELEVATION

SCALE: 1/4" = 1'0"



CASITA CALIFORNIA B - RIGHT ELEVATION

SCALE: 1/4" = 1'0"